

vispac®

Seal for the polymer industry



High reliability and functionality are crucial for a seal in the polymer discharging process for guaranteeing optimized product quality and line availability. The vispac® shaft seal is known for its robustness, reliability and especially for its easy handling. This low-maintenance seal is a proven combination of the viscoseal system and sealed stuffing boxes.

Your benefits

- Extremely large range of applications
- Reliability and safety
- Low wear and low maintenance
- Combination of the viscoseal and stuffing boxes, guaranteed tightness in both operation and downtime
- Simple and reliable adjustment of the seal control pressure

Typical pumping media

- Cellulose acetate
- Elastomers
- Epoxy resin
- Phenolic resin
- Polyacrylonitrile
- Polyamide
- Polycarbonate
- Polybutylene Terephthalate
- Polyethylene Terephthalate
- Polymethylmethacrylate
- Polypropylene
- Polystyrene (incl. ABS, EPS)
- Polysulphone
- Silicone
- SBR Latex
- And others

An adjustment throttle optimized by CFD analysis and an adjustment mechanism that can be set from outside the insulation make operation easier and allow the seal control pressure to be reliably adjusted – key to reliable gap seal operation.

Benefits of the vispac® seal

- Safe and reliable operation
- Faster and easier adjustment
- Continuous pressure build-up
- Pressure sensor no longer required

The throttle with worm gear screw jack is available for maag discharge pumps from 180 size pumps. Existing discharge pumps can also be retrofitted.

Technical specifications:

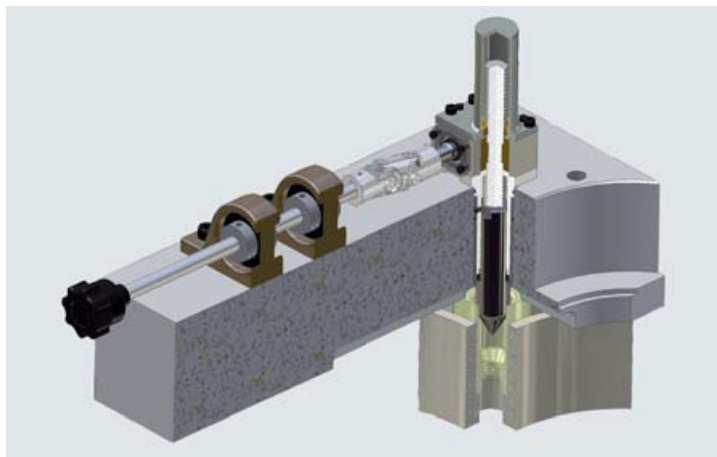
Admission pressure: Vacuum to 2 bar

Viscosity: 50 to 20,000 Pas

Temperature: To 350° C

A visco seal performs the sealing function during pump operation. It is a contactless and maintenance-free gap seal that is equipped with an additional cooling mechanism for critical applications. Gap seals, however, only work during operation.

That's why vispac® combines a visco seal with a sealed stuffing box. This part of the seal performs the sealing function during line stops and makes sure that no air gets into the system.



Throttle with worm gear screw jack

