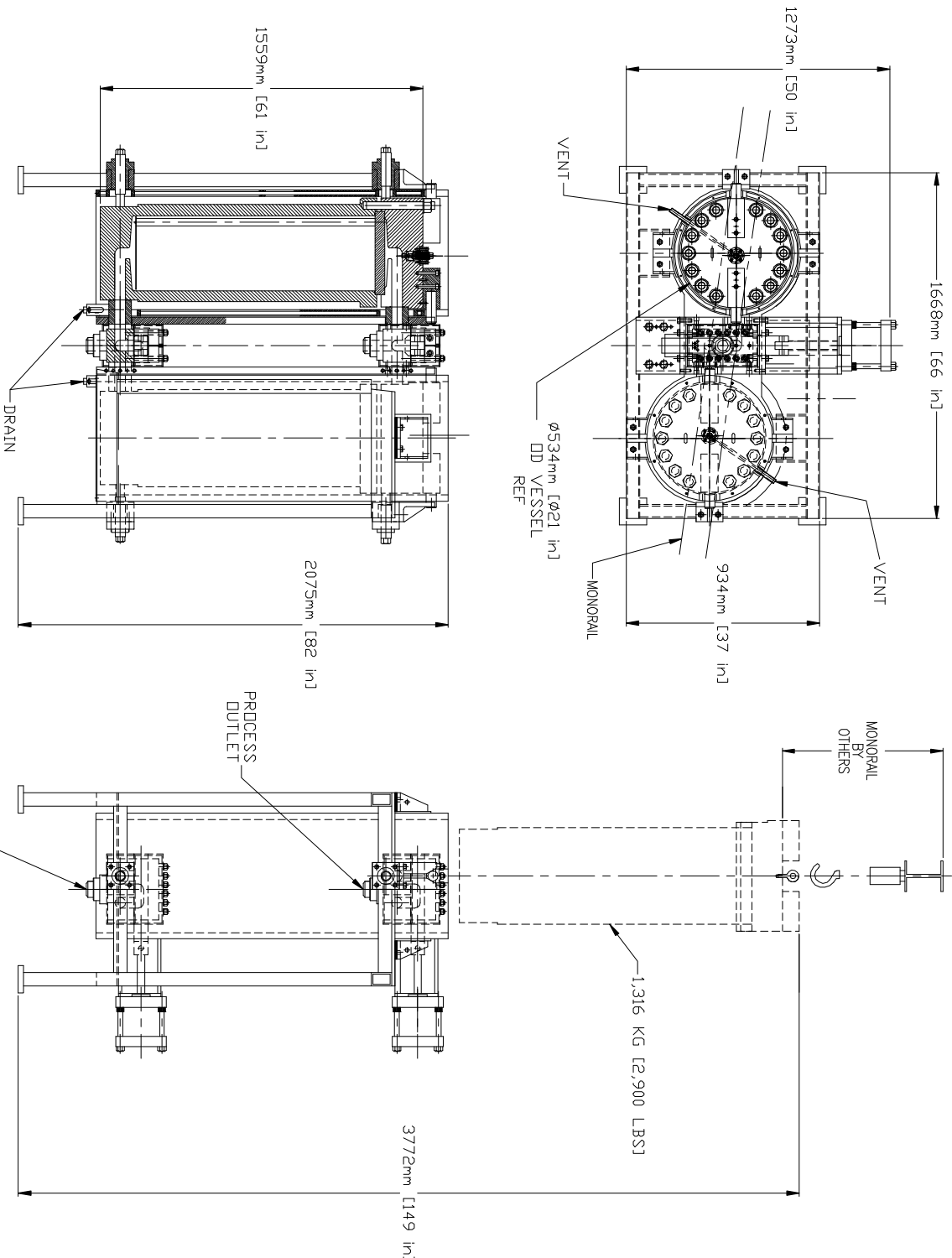


REV.	NOTICE	DESCRIPTION OF CHANGE	DATE	APPROVED BY
1	PROPOSAL DRAWING		10/12/01	HC
-	-	-	-	-



SPECIFICATIONS:

1. FILTRATION AREA: 23 M²
2. ELEMENTS: QTY 19 x 12 M LONG
3. FILTRATION RATING: PER CUSTOMER REQUIREMENT.
4. TYPICAL FLUID DENSITY: 1185 gm/cc
5. TYPICAL FLUID VISCOSITY: 2500 POISE
6. MAXIMUM FLOW RATE: 204 TONS/DAY
7. VALVE SIZE: 103 MM BORE
8. DESIGN & BUILD PER ASME SECTION VIII, DIVISION 1 LATEST ADDENDA.
9. VESSEL DESIGN PRESSURE: 240 BAR
10. JACKET DESIGN PRESSURE: 10 BAR AND FULL VACUUM
11. DESIGN TEMPERATURE: 345°C
12. HEATING MEDIUM: HTF VAPOR
13. ALL DIMENSIONS APPROXIMATE PENDING A FINAL DESIGN.
14. APPROX SYSTEM WEIGHT: 8,027 KG (17,700 LBS)

THIS DRAWING IS THE PROPERTY OF MAAG AND IS LOANED FOR CONCEPTUAL USE ONLY AND SHOULD NOT BE REPRODUCED OR COPIED WITHOUT THE WRITTEN CONSENT OF MAAG PUMP SYSTEMS, TEXTRON INC.

REV	DATE	DESCRIPTION	APPROVED
1	11/16/01		HC

DESIGNER	HC	DATE	11/16/01
CHECKED			
APPROVED			
WEIGHT	NONE	SCALE	NONE
DRAWING NO.	DUPLX SYSTEM		SHEET 1 OF 1
DFS 23-5			REV. 1

ITEM NO.	QTY	UNIT	DESCRIPTION	MATERIAL
BILL OF MATERIAL				
UNLESS OTHERWISE SPECIFIED				
DIMENSIONS ARE IN INCHES				
TOLERANCES UNLESS OTHERWISE SPECIFIED				
FRACTIONS 1/16" 1/8" 1/4" 3/8" 1/2" 5/8" 3/4" 1" 1 1/4" 1 1/2" 2" 3" 4" 6" 8" 12" 18" 24" 30" 36" 48" 60" 72" 96" 120" 144" 180" 240" 300" 360" 480" 600" 720" 960" 1200"				
DECIMALS .0005" .001" .002" .003" .005" .007" .010" .015" .020" .030" .040" .050" .060" .070" .080" .090" .100" .125" .150" .175" .200" .250" .300" .375" .450" .500" .625" .750" .875" 1.000"				
ANGLES 15° 30° 45° 60° 75° 90° 105° 120° 135° 150° 165° 180°				
RADIUS .0005" .001" .002" .003" .005" .007" .010" .015" .020" .030" .040" .050" .060" .070" .080" .090" .100" .125" .150" .175" .200" .250" .300" .375" .450" .500" .625" .750" .875" 1.000"				
SURFACE FINISHES 125 RMS 150 RMS 200 RMS 250 RMS 300 RMS 320 RMS 360 RMS 400 RMS 450 RMS 500 RMS 560 RMS 630 RMS 700 RMS 800 RMS 900 RMS 1000 RMS 1250 RMS 1500 RMS 1800 RMS 2000 RMS 2500 RMS 3000 RMS 3200 RMS 3600 RMS 4000 RMS 4500 RMS 5000 RMS 5600 RMS 6300 RMS 7000 RMS 8000 RMS 9000 RMS 10000 RMS				
TEMPERATURES 100°F 150°F 200°F 250°F 300°F 350°F 400°F 450°F 500°F 550°F 600°F 650°F 700°F 750°F 800°F 850°F 900°F 950°F 1000°F				
PRESSURES 100 PSI 150 PSI 200 PSI 250 PSI 300 PSI 350 PSI 400 PSI 450 PSI 500 PSI 550 PSI 600 PSI 650 PSI 700 PSI 750 PSI 800 PSI 850 PSI 900 PSI 950 PSI 1000 PSI				
SPEEDS 100 RPM 150 RPM 200 RPM 250 RPM 300 RPM 350 RPM 400 RPM 450 RPM 500 RPM 550 RPM 600 RPM 650 RPM 700 RPM 750 RPM 800 RPM 850 RPM 900 RPM 950 RPM 1000 RPM				

maag pump systems, TEXTRON Inc.
CHARLOTTE, NC, USA