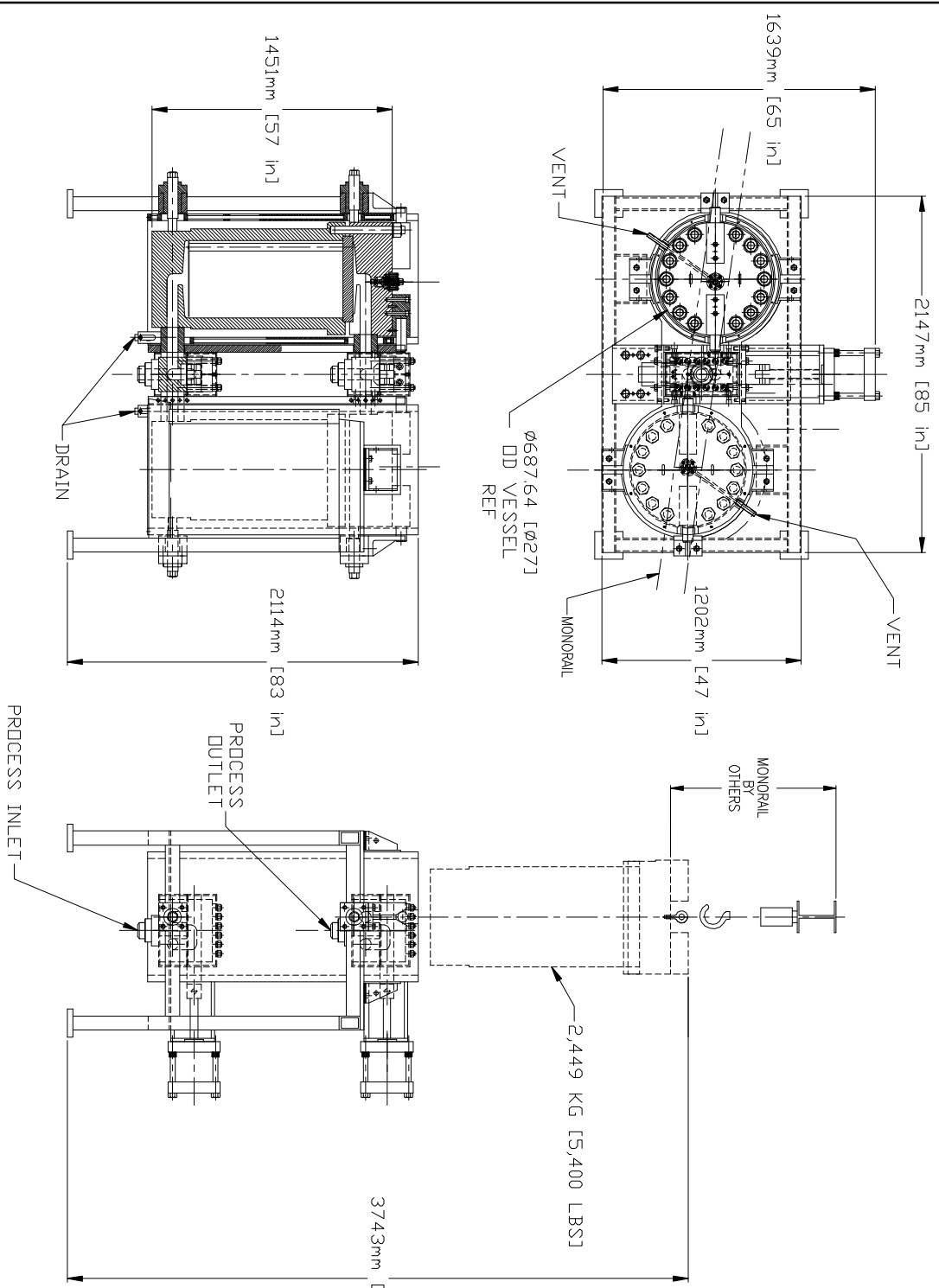


REV.	NOTICE	DESCRIPTION OF CHANGE	DATE	APPROVED BY
1	PROPOSAL DRAWING		10/12/01	HC
-	-	-	-	-



- SPECIFICATIONS:
- FILTRATION AREA: 39 M²
 - ELEMENTS: QTY 37 x 1.0 M LONG
 - FILTRATION RATING: PER CUSTOMER REQUIREMENT.
 - TYPICAL FLUID DENSITY: 1185 gm/cc
 - TYPICAL FLUID VISCOSITY: 2500 POISE
 - MAXIMUM FLOW RATE: 330 TONS/DAY.
 - VALVE SIZE: 103 MM BORE
 - DESIGN & BUILD PER ASME SECTION VIII, DIVISION 1 LATEST ADDENDA.
 - VESSEL DESIGN PRESSURE: 240 BAR DESIGN TEMPERATURE: 345° C
 - JACKET DESIGN PRESSURE: 10 BAR AND FULL VACUUM DESIGN TEMPERATURE: 345° C
 - HEATING MEDIUM: HTF VAPOR
 - ALL DIMENSIONS APPROXIMATE PENDING A FINAL DESIGN.
 - APPROX SYSTEM WEIGHT: 11,791 KG [26,000 LBS]

THIS DRAWING IS THE PROPERTY OF MAAG AND IS LOANED FOR CONSTRUCTION USE ONLY AND SHOULD BE RETURNED TO THE OFFICE OF MAAG PUMP SYSTEMS, DUBLIN, IRE.

ITEM NO./REV.	QTY./PIECE	DESCRIPTION	MATERIAL
BILL OF MATERIAL			
UNLESS OTHERWISE SPECIFIED			
DIMENSIONS ARE IN INCHES			
TOLERANCES UNLESS OTHERWISE SPECIFIED:			
FRACTIONS: ±0.005			
DECIMALS: ±0.001			
HOLE POSITION: ±0.005			
HOLE SIZE: ±0.001			
HOLE LOCATION: ±0.005			
HOLE DRILLING: ±0.005			
HOLE TAPPING: ±0.005			
HOLE REAMING: ±0.005			
HOLE POLISHING: ±0.005			
HOLE FINISH: ±0.005			
HOLE TREATMENT: ±0.005			
HOLE COATING: ±0.005			
HOLE PAINTING: ±0.005			
HOLE ANODIZING: ±0.005			
HOLE CHROMIUM: ±0.005			
HOLE GALVANIZING: ±0.005			
HOLE ZINC: ±0.005			
HOLE CATHODIC: ±0.005			
HOLE ANODIZING: ±0.005			
HOLE CHROMIUM: ±0.005			
HOLE GALVANIZING: ±0.005			
HOLE ZINC: ±0.005			
HOLE CATHODIC: ±0.005			
HOLE ANODIZING: ±0.005			
HOLE CHROMIUM: ±0.005			
HOLE GALVANIZING: ±0.005			
HOLE ZINC: ±0.005			
HOLE CATHODIC: ±0.005			
HOLE ANODIZING: ±0.005			
HOLE CHROMIUM: ±0.005			
HOLE GALVANIZING: ±0.005			
HOLE ZINC: ±0.005			
HOLE CATHODIC: ±0.005			
HOLE ANODIZING: ±0.005			
HOLE CHROMIUM: ±0.005			
HOLE GALVANIZING: ±0.005			
HOLE ZINC: ±0.005			
HOLE CATHODIC: ±0.005			
HOLE ANODIZING: ±0.005			
HOLE CHROMIUM: ±0.005			
HOLE GALVANIZING: ±0.005			
HOLE ZINC: ±0.005			
HOLE CATHODIC: ±0.005			
HOLE ANODIZING: ±0.005			
HOLE CHROMIUM: ±0.005			
HOLE GALVANIZING: ±0.005			
HOLE ZINC: ±0.005			
HOLE CATHODIC: ±0.005			
HOLE ANODIZING: ±0.005			
HOLE CHROMIUM: ±0.005			
HOLE GALVANIZING: ±0.005			
HOLE ZINC: ±0.005			
HOLE CATHODIC: ±0.005			
HOLE ANODIZING: ±0.005			
HOLE CHROMIUM: ±0.005			
HOLE GALVANIZING: ±0.005			
HOLE ZINC: ±0.005			
HOLE CATHODIC: ±0.005			
HOLE ANODIZING: ±0.005			
HOLE CHROMIUM: ±0.005			
HOLE GALVANIZING: ±0.005			
HOLE ZINC: ±0.005			
HOLE CATHODIC: ±0.005			
HOLE ANODIZING: ±0.005			
HOLE CHROMIUM: ±0.005			
HOLE GALVANIZING: ±0.005			
HOLE ZINC: ±0.005			
HOLE CATHODIC: ±0.005			
HOLE ANODIZING: ±0.005			
HOLE CHROMIUM: ±0.005			
HOLE GALVANIZING: ±0.005			
HOLE ZINC: ±0.005			
HOLE CATHODIC: ±0.005			
HOLE ANODIZING: ±0.005			
HOLE CHROMIUM: ±0.005			
HOLE GALVANIZING: ±0.005			
HOLE ZINC: ±0.005			
HOLE CATHODIC: ±0.005			
HOLE ANODIZING: ±0.005			
HOLE CHROMIUM: ±0.005			
HOLE GALVANIZING: ±0.005			
HOLE ZINC: ±0.005			
HOLE CATHODIC: ±0.005			
HOLE ANODIZING: ±0.005			
HOLE CHROMIUM: ±0.005			
HOLE GALVANIZING: ±0.005			
HOLE ZINC: ±0.005			
HOLE CATHODIC: ±0.005			
HOLE ANODIZING: ±0.005			
HOLE CHROMIUM: ±0.005			
HOLE GALVANIZING: ±0.005			
HOLE ZINC: ±0.005			
HOLE CATHODIC: ±0.005			
HOLE ANODIZING: ±0.005			
HOLE CHROMIUM: ±0.005			
HOLE GALVANIZING: ±0.005			
HOLE ZINC: ±0.005			
HOLE CATHODIC: ±0.005			
HOLE ANODIZING: ±0.005			
HOLE CHROMIUM: ±0.005			
HOLE GALVANIZING: ±0.005			
HOLE ZINC: ±0.005			
HOLE CATHODIC: ±0.005			
HOLE ANODIZING: ±0.005			
HOLE CHROMIUM: ±0.005			
HOLE GALVANIZING: ±0.005			
HOLE ZINC: ±0.005			
HOLE CATHODIC: ±0.005			
HOLE ANODIZING: ±0.005			
HOLE CHROMIUM: ±0.005			
HOLE GALVANIZING: ±0.005			
HOLE ZINC: ±0.005			
HOLE CATHODIC: ±0.005			
HOLE ANODIZING: ±0.005			
HOLE CHROMIUM: ±0.005			
HOLE GALVANIZING: ±0.005			
HOLE ZINC: ±0.005			
HOLE CATHODIC: ±0.005			
HOLE ANODIZING: ±0.005			
HOLE CHROMIUM: ±0.005			
HOLE GALVANIZING: ±0.005			
HOLE ZINC: ±0.005			
HOLE CATHODIC: ±0.005			
HOLE ANODIZING: ±0.005			
HOLE CHROMIUM: ±0.005			
HOLE GALVANIZING: ±0.005			
HOLE ZINC: ±0.005			
HOLE CATHODIC: ±0.005			
HOLE ANODIZING: ±0.005			
HOLE CHROMIUM: ±0.005			
HOLE GALVANIZING: ±0.005			
HOLE ZINC: ±0.005			
HOLE CATHODIC: ±0.005			
HOLE ANODIZING: ±0.005			
HOLE CHROMIUM: ±0.005			
HOLE GALVANIZING: ±0.005			
HOLE ZINC: ±0.005			
HOLE CATHODIC: ±0.005			
HOLE ANODIZING: ±0.005			
HOLE CHROMIUM: ±0.005			
HOLE GALVANIZING: ±0.005			
HOLE ZINC: ±0.005			
HOLE CATHODIC: ±0.005			
HOLE ANODIZING: ±0.005			
HOLE CHROMIUM: ±0.005			
HOLE GALVANIZING: ±0.005			
HOLE ZINC: ±0.005			
HOLE CATHODIC: ±0.005			
HOLE ANODIZING: ±0.005			
HOLE CHROMIUM: ±0.005			
HOLE GALVANIZING: ±0.005			
HOLE ZINC: ±0.005			
HOLE CATHODIC: ±0.005			
HOLE ANODIZING: ±0.005			
HOLE CHROMIUM: ±0.005			
HOLE GALVANIZING: ±0.005			
HOLE ZINC: ±0.005			
HOLE CATHODIC: ±0.005			
HOLE ANODIZING: ±0.005			
HOLE CHROMIUM: ±0.005			
HOLE GALVANIZING: ±0.005			
HOLE ZINC: ±0.005			
HOLE CATHODIC: ±0.005			
HOLE ANODIZING: ±0.005			
HOLE CHROMIUM: ±0.005			
HOLE GALVANIZING: ±0.005			
HOLE ZINC: ±0.005			
HOLE CATHODIC: ±0.005			
HOLE ANODIZING: ±0.005			
HOLE CHROMIUM: ±0.005			
HOLE GALVANIZING: ±0.005			
HOLE ZINC: ±0.005			
HOLE CATHODIC: ±0.005			
HOLE ANODIZING: ±0.005			
HOLE CHROMIUM: ±0.005			
HOLE GALVANIZING: ±0.005			
HOLE ZINC: ±0.005			
HOLE CATHODIC: ±0.005			
HOLE ANODIZING: ±0.005			
HOLE CHROMIUM: ±0.005			
HOLE GALVANIZING: ±0.005			
HOLE ZINC: ±0.005			
HOLE CATHODIC: ±0.005			
HOLE ANODIZING: ±0.005			
HOLE CHROMIUM: ±0.005			
HOLE GALVANIZING: ±0.005			
HOLE ZINC: ±0.005			
HOLE CATHODIC: ±0.005			
HOLE ANODIZING: ±0.005			
HOLE CHROMIUM: ±0.005			
HOLE GALVANIZING: ±0.005			
HOLE ZINC: ±0.005			
HOLE CATHODIC: ±0.005			
HOLE ANODIZING: ±0.005			
HOLE CHROMIUM: ±0.005			
HOLE GALVANIZING: ±0.005			
HOLE ZINC: ±0.005			
HOLE CATHODIC: ±0.005			
HOLE ANODIZING: ±0.005			
HOLE CHROMIUM: ±0.005			
HOLE GALVANIZING: ±0.005			
HOLE ZINC: ±0.005			
HOLE CATHODIC: ±0.005			
HOLE ANODIZING: ±0.005			
HOLE CHROMIUM: ±0.005			
HOLE GALVANIZING: ±0.005			
HOLE ZINC: ±0.005			
HOLE CATHODIC: ±0.005			
HOLE ANODIZING: ±0.005			
HOLE CHROMIUM: ±0.005			
HOLE GALVANIZING: ±0.005			
HOLE ZINC: ±0.005			
HOLE CATHODIC: ±0.005			
HOLE ANODIZING: ±0.005			
HOLE CHROMIUM: ±0.005			
HOLE GALVANIZING: ±0.005			
HOLE ZINC: ±0.005			
HOLE CATHODIC: ±0.005			
HOLE ANODIZING: ±0.005			
HOLE CHROMIUM: ±0.005			
HOLE GALVANIZING: ±0.005			
HOLE ZINC: ±0.005			
HOLE CATHODIC: ±0.005			
HOLE ANODIZING: ±0.005			
HOLE CHROMIUM: ±0.005			
HOLE GALVANIZING: ±0.005			
HOLE ZINC: ±0.005			
HOLE CATHODIC: ±0.005			
HOLE ANODIZING: ±0.005			
HOLE CHROMIUM: ±0.005			
HOLE GALVANIZING: ±0.005			
HOLE ZINC: ±0.005			
HOLE CATHODIC: ±0.005			
HOLE ANODIZING: ±0.005			
HOLE CHROMIUM: ±0.005			
HOLE GALVANIZING: ±0.005			
HOLE ZINC: ±0.005			
HOLE CATHODIC: ±0.005			
HOLE ANODIZING: ±0.005			
HOLE CHROMIUM: ±0.005			
HOLE GALVANIZING: ±0.005			
HOLE ZINC: ±0.005			
HOLE CATHODIC: ±0.005			
HOLE ANODIZING: ±0.005			
HOLE CHROMIUM: ±0.005			
HOLE GALVANIZING: ±0.005			
HOLE ZINC: ±0.005			
HOLE CATHODIC: ±0.005			
HOLE ANODIZING: ±0.005			
HOLE CHROMIUM: ±0.005			
HOLE GALVANIZING: ±0.005			
HOLE ZINC: ±0.005			
HOLE CATHODIC: ±0.005			
HOLE ANODIZING: ±0.005			
HOLE CHROMIUM: ±0.005			
HOLE GALVANIZING: ±0.005			
HOLE ZINC: ±0.005			
HOLE CATHODIC: ±0.005			
HOLE ANODIZING: ±0.005			
HOLE CHROMIUM: ±0.005			
HOLE GALVANIZING: ±0.005			
HOLE ZINC: ±0.005			
HOLE CATHODIC: ±0.005			
HOLE ANODIZING: ±0.005			
HOLE CHROMIUM: ±0.005			
HOLE GALVANIZING: ±0.005			
HOLE ZINC: ±0.005			
HOLE CATHODIC: ±0.005			
HOLE ANODIZING: ±0.005			
HOLE CHROMIUM: ±0.005			
HOLE GALVANIZING: ±0.005			
HOLE ZINC: ±0.005			
HOLE CATHODIC: ±0.005			
HOLE ANODIZING: ±0.005			
HOLE CHROMIUM: ±0.005			
HOLE GALVANIZING: ±0.005			
HOLE ZINC: ±0.005			
HOLE CATHODIC: ±0.005			
HOLE ANODIZING: ±0.005			
HOLE CHROMIUM: ±0.005			
HOLE GALVANIZING: ±0.005			
HOLE ZINC: ±0.005			
HOLE CATHODIC: ±0.005			
HOLE ANODIZING: ±0.005			
HOLE CHROMIUM: ±0.005			
HOLE GALVANIZING: ±0.005			
HOLE ZINC: ±0.005			
HOLE CATHODIC: ±0.005			
HOLE ANODIZING: ±0.005			
HOLE CHROMIUM: ±0.005			
HOLE GALVANIZING: ±0.005			
HOLE ZINC: ±0.005			
HOLE CATHODIC: ±0.005			
HOLE ANODIZING: ±0.005			
HOLE CHROMIUM: ±0.005			
HOLE GALVANIZING: ±0.005			
HOLE ZINC: ±0.005			
HOLE CATHODIC: ±0.005			
HOLE ANODIZING: ±0.005			
HOLE CHROMIUM: ±0.005			
HOLE GALVANIZING: ±0.005			
HOLE ZINC: ±0.005			
HOLE CATHODIC: ±0.005			
HOLE ANODIZING: ±0.005			
HOLE CHROMIUM: ±0.005			
HOLE GALVANIZING: ±0.005			
HOLE ZINC: ±0.005			
HOLE CATHODIC: ±0.005			
HOLE ANODIZING: ±0.005			
HOLE CHROMIUM: ±0.005			
HOLE GALVANIZING: ±0.005			
HOLE ZINC: ±0.005			
HOLE CATHODIC: ±0.005			
HOLE ANODIZING: ±0.005			
HOLE CHROMIUM: ±0.005			
HOLE GALVANIZING: ±0.005			
HOLE ZINC: ±0.005			
HOLE CATHODIC: ±0.005			
HOLE ANODIZING: ±0.005			
HOLE CHROMIUM: ±0.005			
HOLE GALVANIZING: ±0.005			
HOLE ZINC: ±0.005			
HOLE CATHODIC: ±0.005			
HOLE ANODIZING: ±0.005			
HOLE CHROMIUM: ±0.005			
HOLE GALVANIZING: ±0.005			
HOLE ZINC: ±0.005			
HOLE CATHODIC: ±0.005			
HOLE ANODIZING: ±0.005			
HOLE CHROMIUM: ±0.005			
HOLE GALVANIZING: ±0.005			
HOLE ZINC: ±0.005			
HOLE CATHODIC: ±0.005			
HOLE ANODIZING: ±0.005			
HOLE CHROMIUM: ±0.005			
HOLE GALVANIZING: ±0.005			
HOLE ZINC: ±0.005			
HOLE CATHODIC: ±0.005			
HOLE ANODIZING: ±0.005			
HOLE CHROMIUM: ±0.005			
HOLE GALVANIZING: ±0.005			
HOLE ZINC: ±0.005			
HOLE CATHODIC: ±0.005			
HOLE ANODIZING: ±0.005			
HOLE CHROMIUM: ±0.005			
HOLE GALVANIZING: ±0.005			
HOLE ZINC: ±0.005			
HOLE CATHODIC: ±0.005			
HOLE ANODIZING: ±0.005			
HOLE CHROMIUM: ±0.005			
HOLE GALVANIZING: ±0.005			
HOLE ZINC: ±0.005			
HOLE CATHODIC: ±0.005			
HOLE ANODIZING: ±0.005			
HOLE CHROMIUM: ±0.005			
HOLE GALVANIZING: ±0.005			
HOLE ZINC: ±0.005			
HOLE CATHODIC: ±0.005			
HOLE ANODIZING: ±0.005			
HOLE CHROMIUM: ±0.005			
HOLE GALVANIZING: ±0.005			
HOLE ZINC: ±0.005			
HOLE CATHODIC: ±0.005			
HOLE ANODIZING: ±0.005			
HOLE CHROMIUM: ±0.005			
HOLE GALVANIZING: ±0.005			
HOLE ZINC: ±0.005			
HOLE CATHODIC: ±0.005			
HOLE ANODIZING: ±0.005			
HOLE CHROMIUM: ±0.005			
HOLE GALVANIZING: ±0.005			
HOLE ZINC: ±0.005			
HOLE CATHODIC: ±0.005			
HOLE ANODIZING: ±0.005			
HOLE CHROMIUM: ±0.005			
HOLE GALVANIZING: ±0.005			
HOLE ZINC: ±0.005			
HOLE CATHODIC: ±0.005			
HOLE ANODIZING: ±0.005			
HOLE CHROMIUM: ±0.005			
HOLE GALVANIZING: ±0.005			
HOLE ZINC: ±0.005			
HOLE CATHODIC: ±0.005			
HOLE ANODIZING: ±0.005			
HOLE CHROMIUM: ±0.005			
HOLE GALVANIZING: ±0.005			
HOLE ZINC: ±0.005			
HOLE CATHODIC: ±0.005			
HOLE ANODIZING: ±0.005			
HOLE CHROMIUM: ±0.005			
HOLE GALVANIZING: ±0.005			
HOLE ZINC: ±0.005			
HOLE CATHODIC: ±0.005			
HOLE ANODIZING: ±0.005			