

Press release

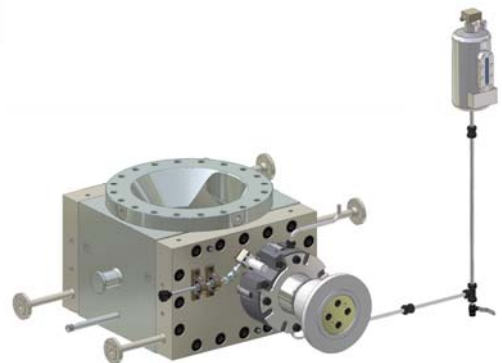
Oberglatt, May 15th 2006

vispac® shaft seal even more reliable

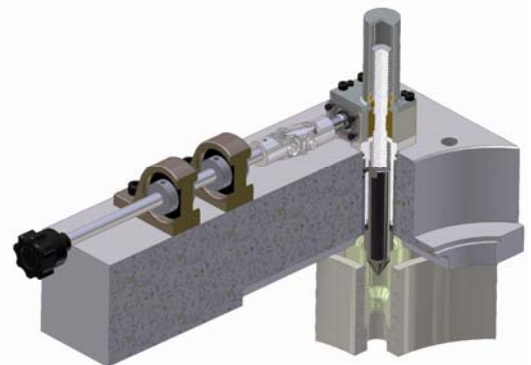
The vispac® shaft seal of Maag Pump Systems Textron has become even more user friendly. The vispac® is famous for its robustness, reliability and especially for the ease of handling. The seal is successfully being used since years in the polymer manufacturing industry.

A new throttle valve optimized by CFD-analysis, equipped with an external adjustment mechanism are the core of the innovation. The throttle valve has been improved to show an almost linear characteristic curve. Thus the pressure increase over the whole throttling range will be virtually equal. This property enables to eliminate the presently used continuously monitored pressure probe. Due to the external operation the pump insulation doesn't have to be removed anymore for adjustments. This allows a faster, simpler and particularly more secure service.

The seal function during the operation is established due to the proven viscoseal. The viscoseal is a maintenance free gap seal, which can be modified with an additional cooling chamber in case of critical applications. To guarantee the sealing function at standstill, especially during unexpected plant shutdowns, the viscoseal is combined with a sealed gland. In every working condition the pump is leak free. The new vispac® shaft seal is available from size 180, also as retrofit-kit for the most Maag gear pumps.



2. gear pump vacorex® with vispac®



3. throttle with spindle-type lifting gear