

Improved bed knife holder

Higher lifetime for underwater strand pelletizers USG 600 and USG 900



Automatik Plastics Machinery has developed an improved bed knife holder for higher productivity in a reliable process of your underwater strand pelletizing system USG 600 and USG 900.

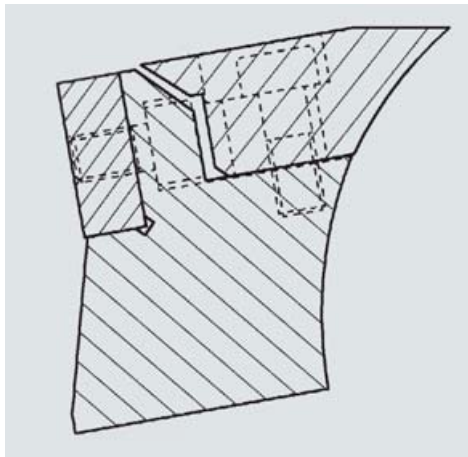
Your benefits

- Higher productivity due to improved pellet quality
- Optimized adjustability
- Less angled or long pellets

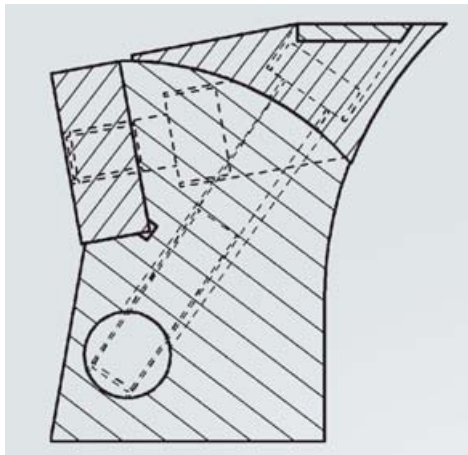
Improved bed knife holder

Higher lifetime for underwater strand pelletizers USG 600 and USG 900

Due to a reinforced cross section of the knife holder, the wear resistance of the knife holder and stripper has been considerably improved.



Old Version



New Version

Advantages

- Adjustment without gaps helps to reduce angel hair.
- Improved pellet quality as angled and long pellets are reduced.
- Higher cutting gap constancy.
- Longer lifetime of rotor and bed knife.
- No material deposits in screw heads.
- The bed knife holder can be installed by your qualified technician.
- Cutting blades are interchangeable between old and new design.



Should you have any questions, please contact us by phone or email.