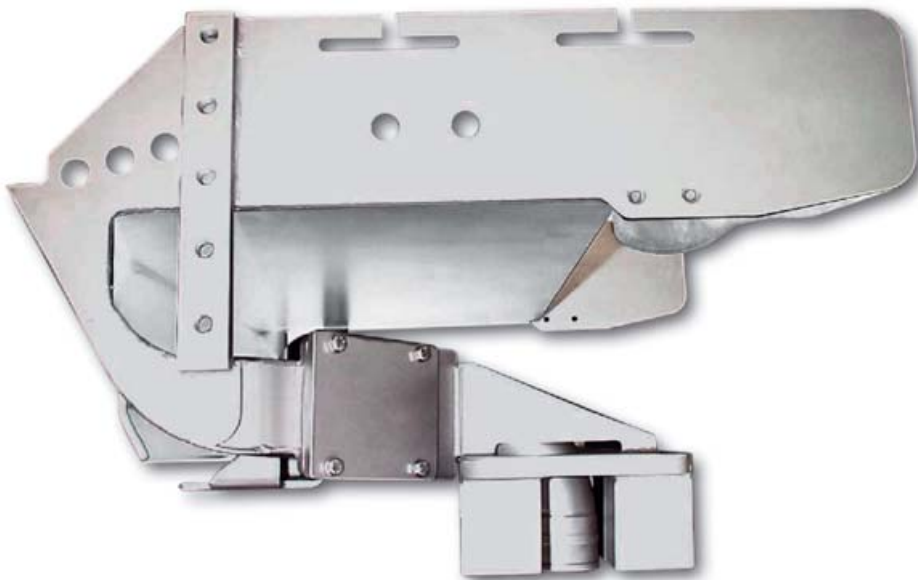


Water box with cleaning openings

For strand pelletizing systems USG 600H



The optimized version of the water box combines improved flow characteristics with easier access to clean the inside of the box.

Your benefits

- Smoother flow of water and strands
- Removeable cleaning covers
- Prevention of dirt accumulations in the water channel due to improved design

Water box with cleaning openings

For strand pelletizing systems USG 600H

The now straight water channel in conjunction with a grooved ledge at the water exit results in a smoother discharge of the water. Therefore, the guiding ability of the water is improved and disturbances of the strand flow as well as strand bonding is minimized.

Due to the improved water channel there are also no angles and edges in the water box that could be covered by dirt which may eventually lead to clogging.

Cleaning openings on both sides and the detachable water exit ledge also allow easy access to the inside of the water box and help to shorten the cleaning process.

Advantages

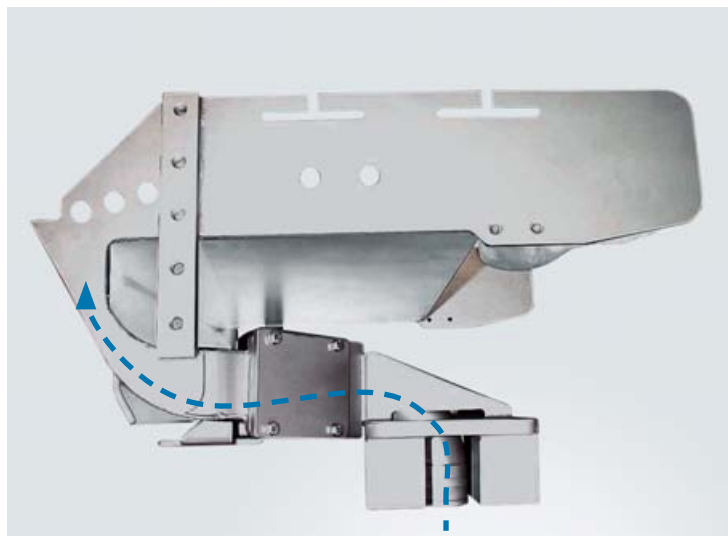
- Less waste production
- Less dirt in the water box allows longer runtimes without interferences
- Less time and effort for cleaning



Cross-section of old style water box with baffle plates



Smooth waterflow



New style water box with straight water channel

Should you have any questions, please contact us by phone or email.