

# Bearing and shaft cooling

Upgrade for polyrex® PR gear pumps size 12 or bigger



Increasing the throughput or “debottlenecking” of existing plants is in many cases the most economical way to secure and extend the life-time of your investment.

Maag wants to support customers by offering different solutions to increase the efficiency of the existing gear pumps, tailored for the specific application requirements.

## Your benefits

- Higher throughput
- Higher outlet pressure
- Higher efficiency

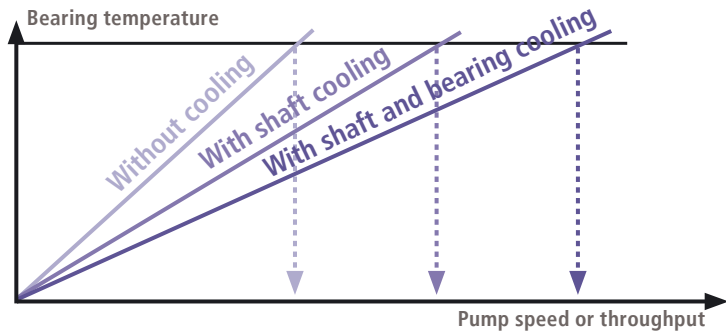
# Bearing and shaft cooling

Upgrade for polyrex® PR gear pumps size 12 or bigger

One solution is the combination of shaft, bearing or shaft and bearing tempering on polyrex® PR gear pumps. This combination allows higher throughput rates than with shaft tempering only. Other effects of the cooling are the reduction of bearing temperature and thus the increase of film load capability, offering the possibility to process against higher pressure, if required.

The following throughput increases can be achieved with optimized cooling:

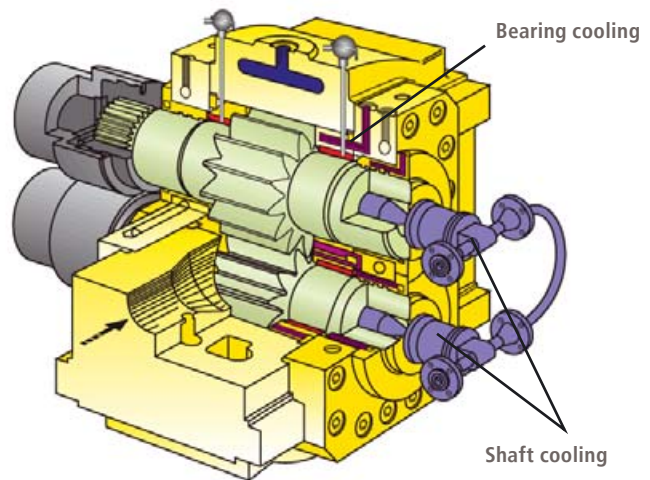
- up to 100 % higher throughput compared to no cooling possible
- up to 33 % higher throughput compared to shaft cooling only



## Additional benefits if used for “debottlenecking”:

- higher differential pressure for softer grades
- more pressure available for higher screening quality
- higher volumetric efficiency: pump runs at the same speed for a higher throughput rate

The cooling upgrade is easy to implement in your existing setup and doesn't take up much additional space.



## Ordering Information

For more information or an inquiry regarding this upgrade please contact us with the following information:

- Pump type
- Pump number
- Desired new throughput and differential pressure
- Information about existing drive unit

Should you have any questions, please contact us by phone or email.