

KW

Uniform cooling of polymer strands



The cooling trough KW assures uniform tempering of strands during strand pelletizing in dry cut strand pelletizing systems. Variable modular length and width as well as many additional options allow adapting the cooling trough KW to almost every requirement.

Your benefits

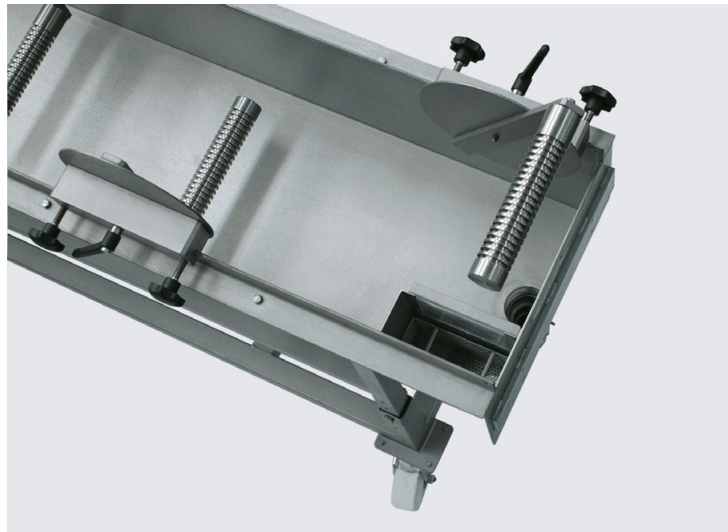
- Uniform water flow on the entire width of the cooling trough
- Enhanced process stability
- Level setting by adjustable overflow weir at the cooling trough exit
- Supporting rollers swiveling and slidable
- Trough lengths available in increments of 1 meter
- All components in contact with product or process water are made of rust-free materials
- The base frame can be moved on rollers for precise alignment

KW

Uniform cooling of polymer strands

Options

- Upper part of cooling trough can slide lengthwise (manual or pneumatic)
- Process water treatment (PWA 6) can be integrated into the base frame
- Adjustable in height construction
- Strand-supporting roller rotation
- Wear protection of supporting rollers



Cooling trough (detail)

Technical data:	KW 160	KW 300	KW 400	KW 600	KW 800	KW 1,100	KW 1,400	KW 1,700
Operating width/ Width of supporting rollers [mm]:	120	100	200	400	600	900	1,200	1,500
Total width [mm]:	160	300	400	600	800	1,100	1,400	1,700
Depth of cooling trough [mm]:	180	250	250	250	250	250	250	250
Standard operating height [mm]:	950	950	950	950	950	950	950	950

